



## NOZZLES/MONITORS

### INDUSTRIAL MONITORS

#### DESCRIPTION

Buckeye offers a series of industrial monitors which are available in all brass construction and as a result are inherently corrosion resistant. Vanes are provided at each elbow to reduce friction loss, thereby improving range of the stream. These monitors can be used with either water or foam solutions. Positive locking of the vertical travel is provided with a brake band. Horizontal rotation is 360°, while vertical travel is 150°. Two models are provided, one with a full 3" (76mm) waterway, the other with a 4" (100mm) waterway. Each unit has a red epoxy paint finish.

#### FEATURES (3" MONITOR)

- Flows up to 1,250 gpm (4,370 lpm) with minimum friction loss.
- Grease fittings at each swivel joint.
- Full 3" (76mm) waterway.
- Stainless steel ball bearings at each swivel joint.
- 360° rotation with lock.
- 3" or 4" inlet flange available.

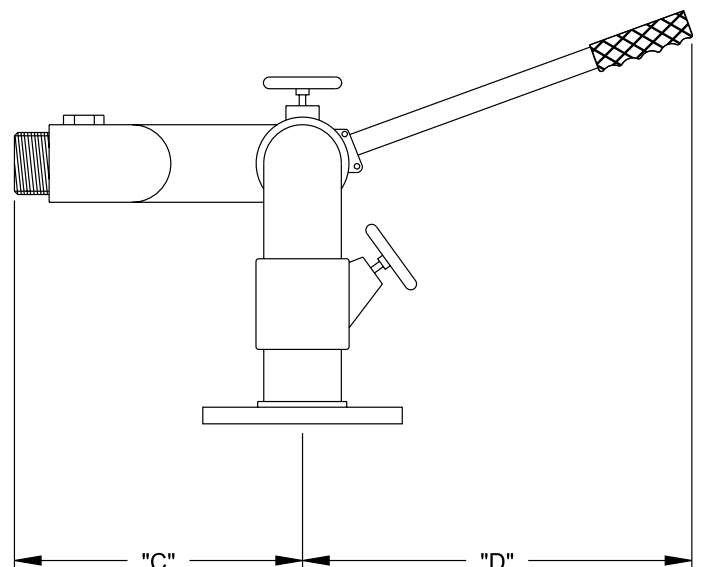
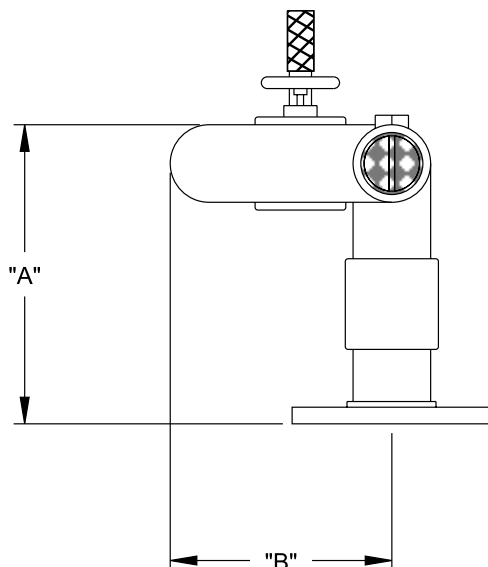
#### FEATURES (4" MONITOR)

- Flows up to 2,000 gpm (7,570 lpm) with minimum friction loss.
- Grease fitting at each swivel joint.
- Full 4" (100mm) waterway.
- Stainless steel ball bearings at each swivel joint.
- 360° rotation with positive lock.
- 4" inlet flange.

#### ORDERING INFORMATION

BFMM - 1250B	35 lb. (17 kg.)
BFMM - 2000B	56 lb. (22 kg.)

BFMM - 1250B	BFMM - 2000B
A - 13 1/2" (343mm)	A - 15" (381mm)
B - 10" (254mm)	B - 12" (305mm)
C - 13" (331mm)	C - 15" (381mm)
D - 18 1/2" (470mm)	D - 21" (534mm)



# BFMM -1250B (3") MONITOR FRICTION LOSS GRAPH

FLOW TESTING WITH BFMMN - 1000

1000 GPM (3785 LPM) NOZZLE TIP

