



**Model 7500
Model 7600**

PRESSURE GAUGE & GLOBE VALVE For Fire Sprinkler Systems



1/4" Connection

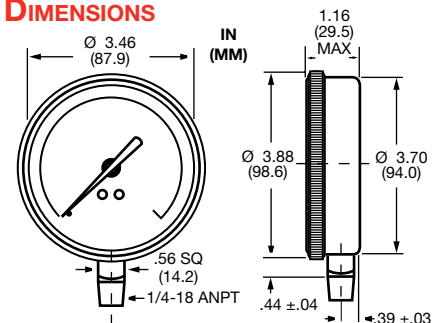


The AGF Manufacturing, Inc. **Model 7500 Pressure Gauge** is an FM Approved/UL Listed 3½" gauge designed for use on "wet" sprinkler systems. The AGF **Model 7500** has been designed to meet the requirements specified in NFPA 13, 2007 Edition Chapters 7.1.1.1 – 7.1.1.2, 7.2.1 – 7.3.1.3, 7.8.7, 8.16.1.2.2, and 8.17.3

SPECIFICATIONS

- Range: 0-300 PSI (Inside)
0-2000 Kpa (Outside)
- Accuracy: ±3-2-3%
- Burdon Tube: Phosphor Bronze
- Window: Polycarbonate one-piece ring and crystal
- Dial: Galvalume
- Pointer: Aluminum, painted black
- Case: PGE Xenoy® DX2735
- Connection: Brass, 1/4" ANPT LM

DIMENSIONS



The AGF Manufacturing, Inc. **Model 7600 1/4" 3-Way Globe Valve** is an FM Approved/UL Listed valve designed to connect the pressure gauge to the sprinkler systems. The AGF **Model 7600** has been designed to meet NFPA 13 System Attachments stating, "...each gauge shall be equipped with a shutoff valve and provision for drainage."



**MODEL 7500 PRESSURE GAUGE
WITH MODEL 7600 GLOBE VALVE**

USA Patent and Other Patents Pending



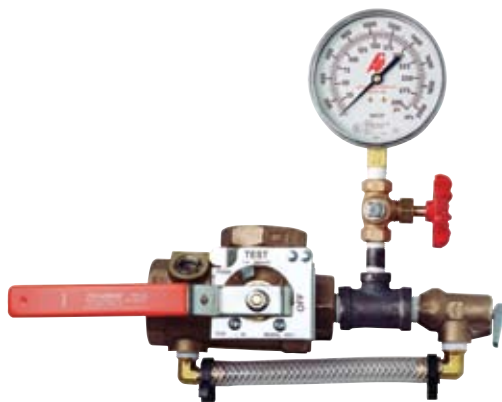
AGF Manufacturing Inc.
100 Quaker Lane, Malvern, PA 19355
Phone: 610-240-4900
Fax: 610-240-4906
www.testandrain.com



Job Name: _____
Architect: _____
Engineer: _____
Contractor: _____

Reliability, Versatility, Code Compatibility

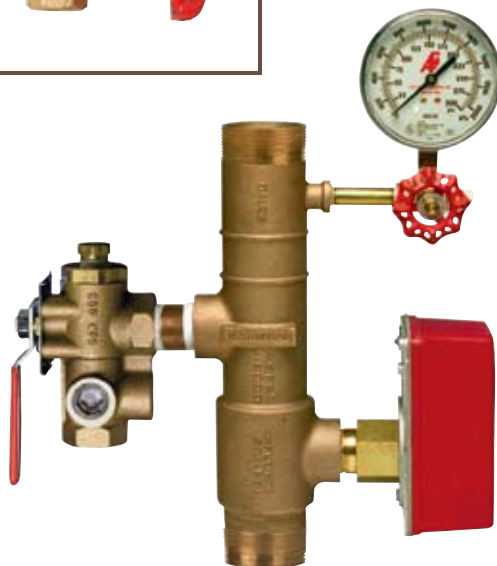
**THE MODEL 7500 PRESSURE GAUGE AND MODEL 7600 3-WAY GLOBE VALVE
ARE ALSO USED ON THE FOLLOWING AGF PRODUCTS:**



M1011T TESTANDRAIN®



**M2511T
TESTANDRAIN®**



M8000 COMMERCIAL RISERPACK®



M8011 COMMERCIAL RISERPACK®



M8000 RESIDENTIAL RISERPACK®



M8011 RESIDENTIAL RISERPACK®

