

The Kennedy Guardian

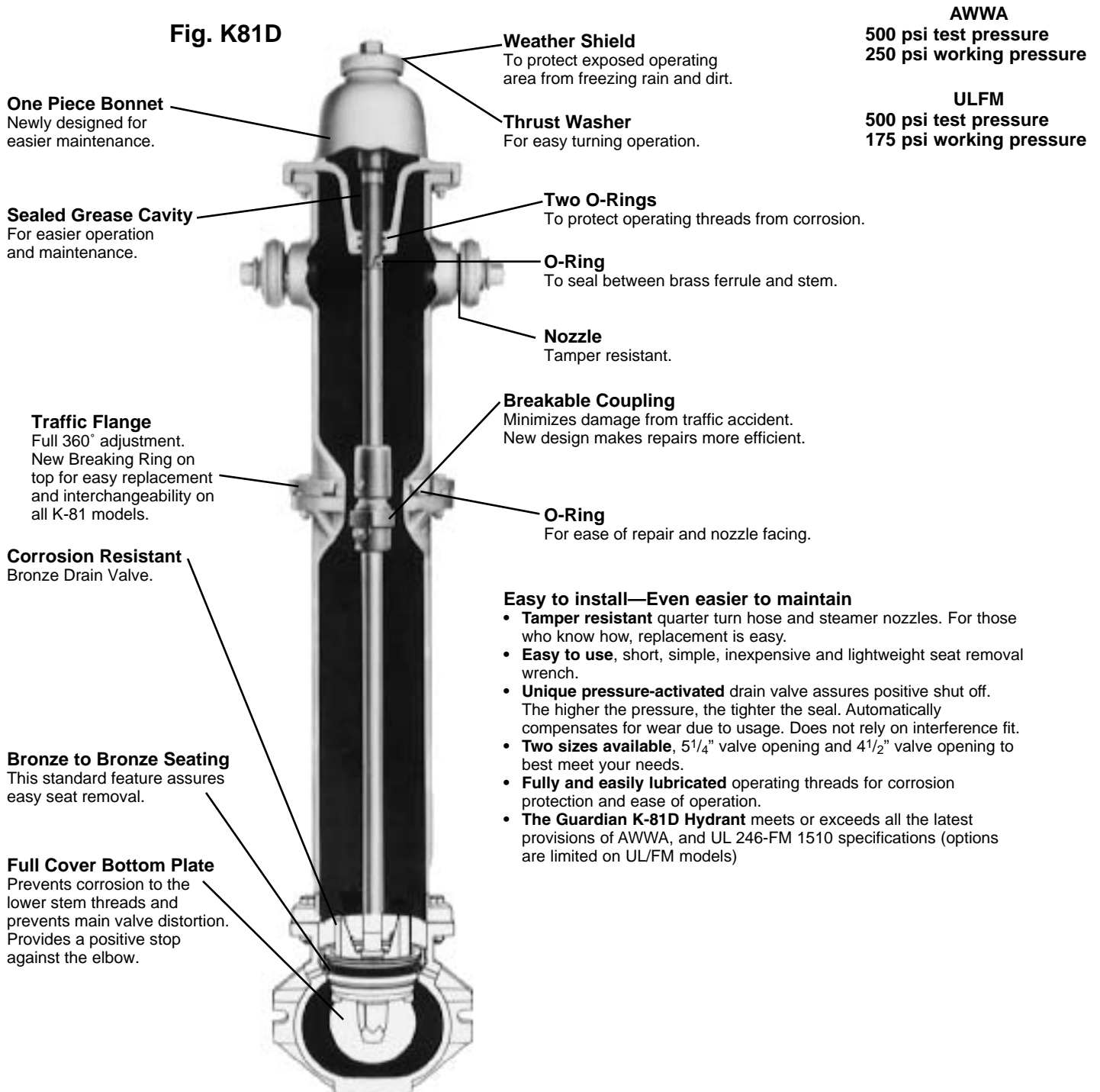
Fire hydrants have been used in fire protection for over 100 years. A.W.W.A. C502 was developed in 1913 as a standard for the manufacture and use of dry barrel hydrants. Kennedy has established itself as a leader in the industry with manufacturing experience dating back to 1905. Many of the early hydrants are in use today.

Kennedy's most recent design is the Guardian. Based on a simple design, it is easy to install, maintain and repair. The Guardian sets a standard for quality in the industry and meets or exceeds all requirements for A.W.W.A. C502 latest revision, and is UL listed and FM approved.

K81D Meets or exceeds requirements of A.W.W.A. C-502 and is UL listed and FM approved.

K-81A Meets or exceeds requirements of A.W.W.A. C-502.

Guardian Features



Guardian K81D Technical/Dimensional Data (AWWA-UL/FM)

URNS TO OPEN = 17 1/2

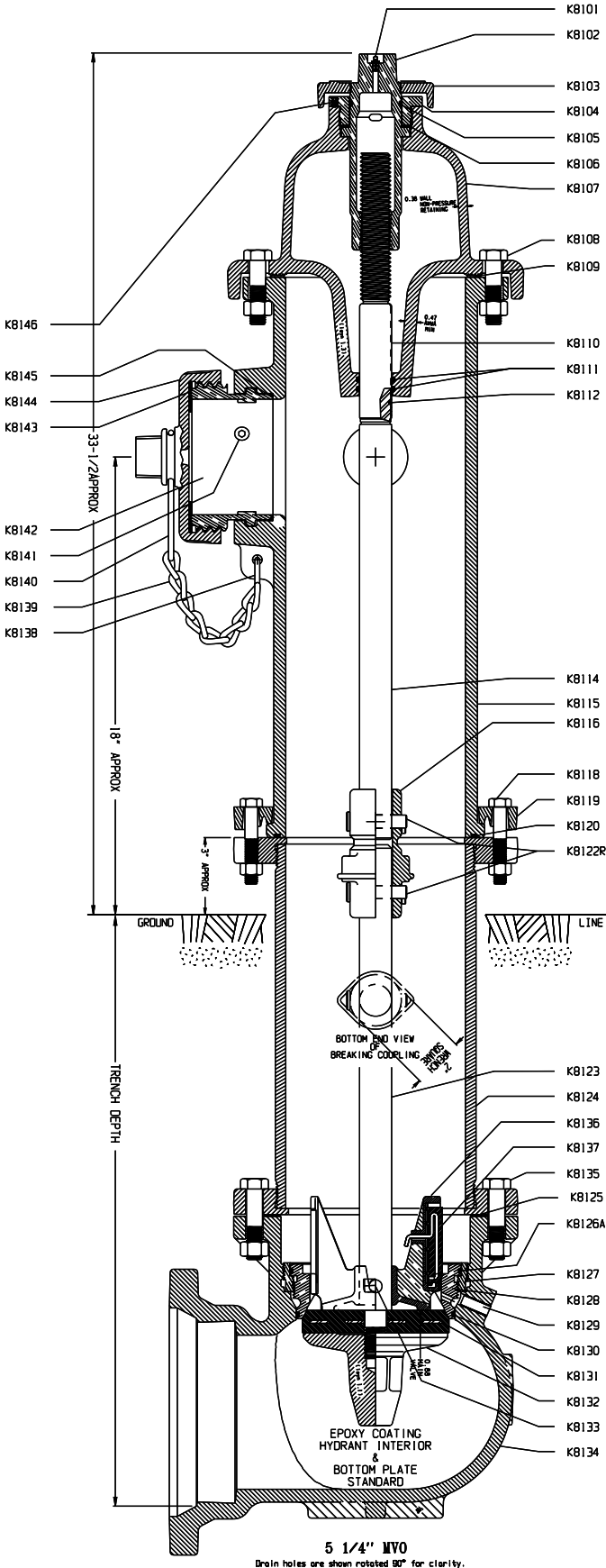


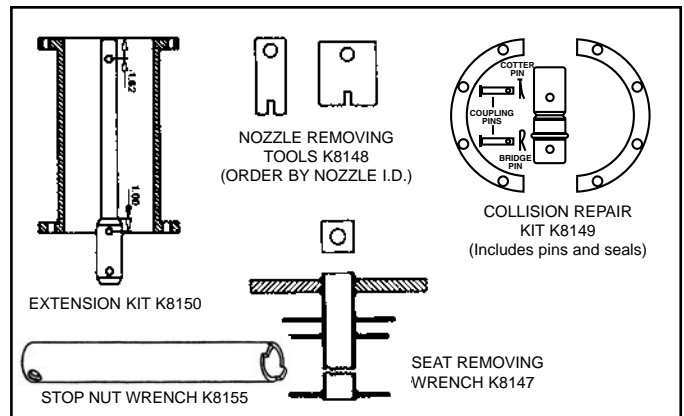
Figure K81D

PARTS LIST

DETAIL	PART	MATERIAL	ASTM SPEC (or as stated)
K8101	ALEMITE FITTING	STAINLESS STEEL	A276 (304)
† K8102	OPERATING STEM NUT	BRONZE	B584 CB4400/AWWA GR A
K8103	DIRT SHIELD	CAST IRON	A126 CLASS B
K8104	STEM LOCK NUT	BRONZE	B584 CB4400/AWWA GR A
† K8105	O-RING	BUNA-N (SYN. RUBBER)	D2000
† K8106	THRUST WASHER	NYLATRON GS	MIL LP-410
K8107	HYDRANT CAP	CAST IRON	A126 CLASS B
K8108	CAP BOLTS & NUTS	STEEL (ZINC PLATED)	A 307/SAE GR 2
† K8109	CAP GASKET	CLOTH INSERTED RUBBER	D20000
* K8110	STEM FERRULE	NAVAL BRASS	B21-CDA 464
† K8111	O-RING	BUNA-N (SYN. RUBBER)	D20000
* K8112	O-RING	BUNA-N (SYN. RUBBER)	D20000
K8114	UPPER STEM	H.R. STEEL	A588
K8115	UPPER BARREL	CAST IRON	A126 CLASS B
K8116	STEM BREAKING COUPLING	CAST IRON	A126 CLASS B
K8118	BOLTS & NUTS	STEEL (ZINC PLATED)	A 307/SAE GR 2
K8119	BREAKING RING	CAST IRON	A126 CLASS B
K8120	O-RING	BUNA-N (SYN. RUBBER)	D20000
K8122R	COUPLING PINS	STAINLESS STEEL	18-8
K8123	LOWER STEM	H.R. STEEL	A588
K8124	LOWER BARREL	DUCTILE IRON (or C.I.)	ANSI 21.50, 21.51
† K8125	ELBOW GASKET	CELLULOSE FIBER	FED F339477M4
† K8126A	O-RING	BUNA-N (SYN. RUBBER)	D2000
* K8127	SEAT RING INSERT	BRONZE	B584 CB4400/AWWA GR A
† K8128	SEAT RING	BRONZE	B584 CB4400/AWWA GR A
K8129	DRAIN TUBE	NAVAL BRASS	B21-CDA 464
† K8130	O-RING	BUNA-N (SYN. RUBBER)	D20000
† K8131	MAIN VALVE	SBR W/STEEL INSERT	UL 262 10.1
K8132	BOTTOM PLATE	CAST IRON	A126 CLASS B
K8133	DRAIN VALVE PIN	STEEL-302/304 STAINLESS	A276 (304)
K8134	ELBOW	CAST IRON	A126 CLASS B
K8135	ELBOW BOLTS AND NUTS	STEEL-302/304 STAINLESS	ASTM F593-304
K8136	DRAIN VALVE	BRONZE	B584 CB4400/AWWA GR A
† K8137	DRAIN VALVE FACING W/INSERT	BUNA-N W/STAINLESS STEEL	D20000/A276 (304)
K8138	NOZZLE CHAIN 'S' HOOK	STEEL	A108
K8139	NOZZLE CAP CHAIN	STEEL	A108
K8140	NOZZLE CHAIN BAND	STEEL	A108
† K8141	NOZZLE RETAINING SCREW	STAINLESS STEEL	A276 (304)
# K8142	NOZZLE	BRONZE	B584 C83600
†# K8143	NOZZLE CAP GASKET	RUBBER	D20000 TYPE AA
# K8144	NOZZLE CAP	CAST IRON	A126 CLASS B
†# K8145	O-RING	BUNA-N (SYN. RUBBER)	D20000
K8146	ALLEN HEAD SET SCREW	STAINLESS STEEL	A276 (410)
K8147	SEAT REMOVAL WRENCH		
K8148	NOZZLE REMOVAL TOOLS		
† K8149	COLLISION REPAIR KIT		
K8150	GRADE EXTENSION KIT		

* Denotes that part is available only as part of an assembly.
 # Must specify type of Nozzle, Hose or Steamer.
 † Recommended spare parts.

Accessories



Style	Shoe Size	A
M.J.	4	7 3/4
M.J.	6	8
Flange	4	7 7/8
Flange	6	8 1/8
Tyton	6	9

Tyton ends available only in 5 1/4" Main Valve Hydrants.
 4" shoe dimensions apply to 4 1/2" Main Valve Hydrants only.

MARKINGS	
FRONT	BACK
YEAR	K.V. MONOGRAM
KENNEDY	KENNEDY
ELMIRA, N.Y.	ELMIRA, N.Y.
SIZE	SIZE
TYPE	UL/FM
200CWP	175

Contact Factory for UL/FM Limitations