

Reliable®

Model G4A-300 Quick Response Concealed Automatic 300 psi (20,7 bar) Rated Sprinkler

The G4A-300 Concealer®

**A Quick Response Concealed Sprinkler
with ½" (13mm) or
1½" (38mm) Adjustment**

Features

1. Cover plate assembly attachment with ½" (13mm) adjustment. Does not require clips or springs.
2. Smooth aesthetic ceiling profile.
3. Factory installed protective cap.
4. Available in brass, chrome or black plated and white painted finishes.
5. Ordinary temperature rating.
6. 300 psi (20,7 bar) maximum pressure rating.

Listings & Approvals

1. Listed by Underwriters Laboratories, Inc. and Certified by UL for Canada (cULus)
-Quick Response
2. NYC - MEA - 258 - 93 - E

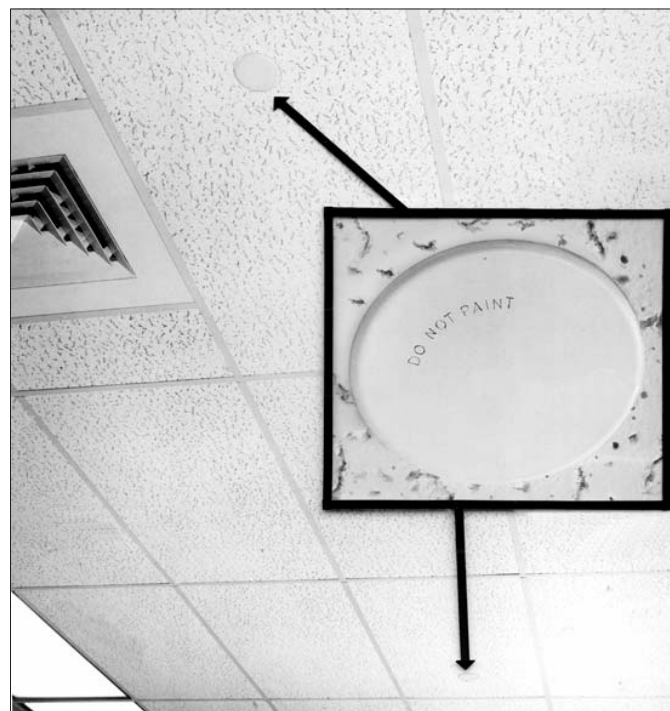
Note: Approvals are for light and ordinary hazard. The cup and skirt are fabricated from plated steel and are recommended for interior, non-corrosive applications.

Note: Paint or any other coatings applied over the factory finish will void all approvals and warranties.

US. Patent Number 4,880,063

Application

The Reliable Model G4A-300 Concealer® is a versatile quick response concealed sprinkler. It provides the best form of fire protection while offering an attractive appearance and ½" (13mm) cover plate adjustment for ease of installation. The small diameter cover plate assembly is easily attached and blends into the ceiling, concealing the most dependable fire protection, an automatic sprinkler system.



The Model G4A-300 Concealer® is designed for use where aesthetic appearance is important. It can be used at working pressures up to 300 psi (20,7 bar).

The Model G4A-300 Concealer® is a cULus Listed Quick Response Concealed Sprinkler intended for use in accordance with NFPA 13.

Product Description

The Reliable Model G4A-300 Concealer® uses a proven quick response fusible element in a standard style sprinkler frame with a drop-down deflector. This assembly is recessed into the ceiling and concealed by a flat cover plate assembly. This threaded engagement provides ½" (13mm) of cover adjustment. The flat cover plate is attached to the skirt using 135°F (57°C) ordinary temperature classification solder. When the ceiling temperature rises, the solder holding the flat cover plate melts, the flat cover plate released thus exposing the sprinkler inside to the rising ambient temperature.

The subsequent fusing of the solder element in the sprinkler opens the waterway and causes the deflector to drop into position to distribute the discharging water. Any secure engagement between the cover plate and cup will assure that the drop-down deflector is properly located below the ceiling.

Installation

- Do not install the G4A-300 Concealer® in ceilings which have positive pressure in the space above.
- Cut a 2 5/8" (67mm) diameter hole in the ceiling and install the sprinkler using model G4 Wrench. The wrench has drive tangs which insert into the cup slots. When installing a sprinkler the wrench is first positioned into the sprinkler/cup assembly until the wrench tangs engage the drive slots in the sprinkler. DO NOT WRENCH ON ANY OTHER PART OF THE SPRINKLER/CUP ASSEMBLY. Install the cover plate by hand, turning it clockwise until it is tight against the ceiling.

A protective cap is provided to protect the drop-down sprinkler deflector from damage which could occur during construction before the cover plate is installed. The cap is factory installed inside the sprinkler cup. Remove cap to install sprinkler, then reinstall cap until the cover plate is installed.

Maintenance

The Model G4A-300 Concealer® should be inspected quarterly and the sprinkler system maintained in accordance with NFPA 25. Do not clean sprinklers with soap and water, ammonia or any other cleaning fluids. Remove dust by using a soft brush or gentle vacuuming. Remove any sprinkler that has been painted (other than factory applied) or damaged in any way. A stock of spare sprinklers should be maintained to allow quick replacement of damaged or operated sprinklers. Prior to installation, sprinklers should be maintained in the original cartons and packaging until used to minimize the potential for damage to sprinklers that would cause improper operation or non-operation.

Ordering Information

Specify:

- Sprinkler Model
- Nominal Orifice
- Flat Cover Plate Assembly Finish
- Inlet Type

UL Listing Category

Sprinklers, Automatic and Open
Quick Response Sprinkler

UL Guide Number

VNIV

Cover Plate Finishes⁽¹⁾

Standard Finishes
Bronze
Chrome Plated
White
Special Application Finishes
Bright Brass
Black Plated
Black Paint
Off White
Satin Chrome



Model G4 Sprinkler Wrench

⁽¹⁾ Other colors and finishes are available on special order. Consult factory for details

Standard Temperature Ratings

Classification	Sprinkler	Cover Plate	Max. Ambient Temp.
Ordinary	165°F/74°C	135°F/57°C	100°F/38°C

Installation Data

Sprinkler Inlet	Total Adjustment	Nominal Orifice	Nominal K Factor		Thread	Approvals	Sprinkler Identification Number (SIN)
			US	Metric			
Non Adjustable	1/2" (13mm)	1/2" (15mm)	5.6	80	1/2" NPT (R1/2)	1, 2	R6215
Adjustable	1 1/2" (38mm)	1/2" (15mm)	5.6	80	1" NPT Male or Female	1, 2	R6218

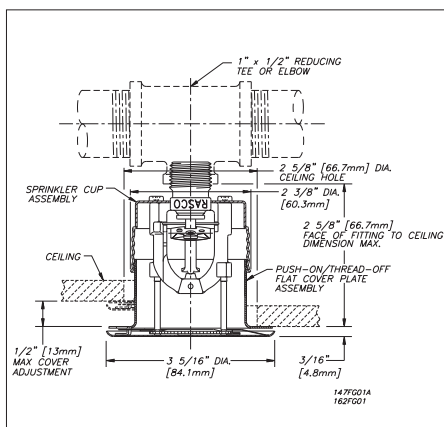


Fig. 1 - 1/2" NPT (R1/2) Non Adjustable Inlet

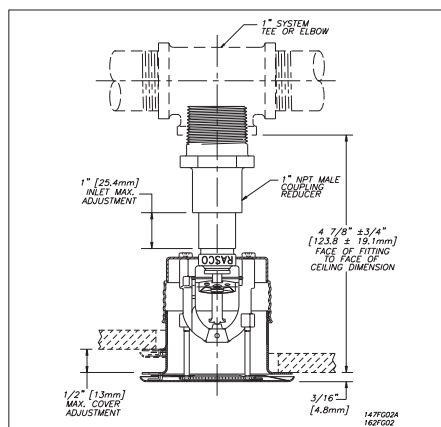


Fig. 2 - 1" NPT Male-Adjustable Inlet

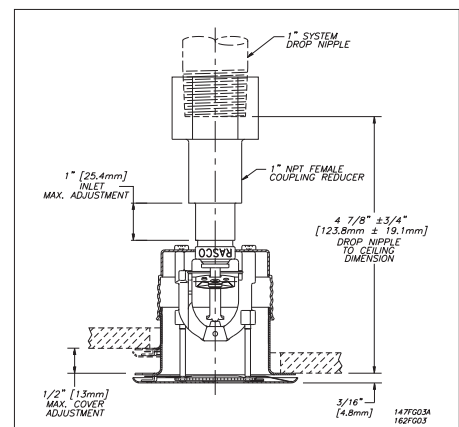


Fig. 3 - 1" NPT Female-Adjustable Inlet

The equipment presented in this bulletin is to be installed in accordance with the latest published Standard of the Nation Fire Protection Association, Factory Mutual Research corporation, or other similar organizations and also with the provisions of governmental codes or ordinances whenever applicable. Products manufactured and distributed by Reliable have been protecting if and property for over 80 years, and are installed and serviced by the most highly qualified and reputable sprinkler contractors located throughout the United States, Canada and foreign countries.

Manufactured by



The Reliable Automatic Sprinkler Co., Inc.
800.431.1588
800.848.6051
914.829.2042
www.reliablesprinkler.com
Sales Offices
Sales Fax
Corporate Offices
Internet Address



Revision lines indicate updated or new data.
EG. Printed in U.S.A. 5/05 P/N 9999970166